



# Installation instructions, accessories

Volvo Car Corporation Gothenburg, Sweden

Instruction No	Version	Part. No.
31373813	1.2	31373809, 31373810, 31428587, 31428588, 31428807, 31428808

## Parking assistance, camera, rear




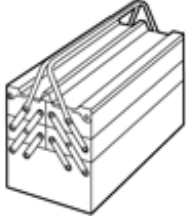

# Installation instructions, accessories

Volvo Car Corporation Gothenburg, Sweden

## Special tools

	981 4088 Puller  Tool number:981 4088  Tool description:Puller  Tool boards:80
	999 7390 Key  Tool number:999 7390  Tool description:Key  Tool boards:80

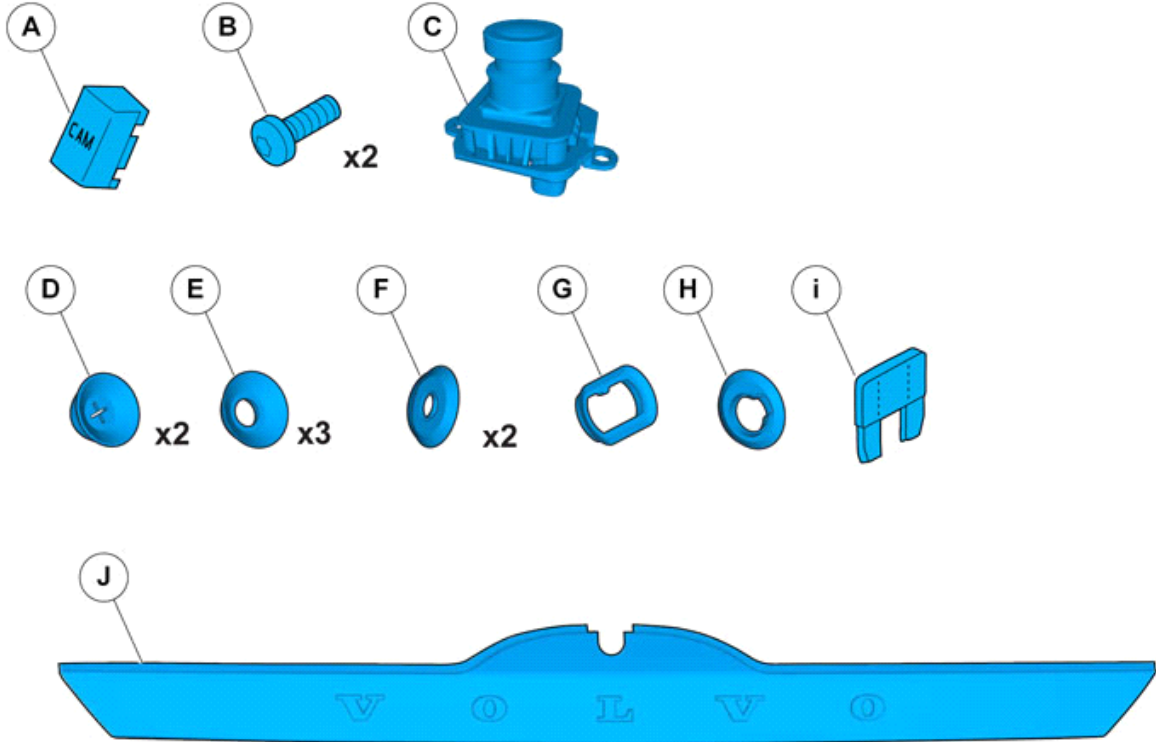
## Equipment

 IMG-242205	 IMG-345497	 IMG-239664	<b>Nm</b> <b>lbf.ft</b>
---	--	--	----------------------------



# Installation instructions, accessories

Volvo Car Corporation Gothenburg, Sweden



IMG-381049



# Installation instructions, accessories

Volvo Car Corporation Gothenburg, Sweden

36648-2

**Parking assistance, camera, rear**

## Information

1

Read through all of the instructions before starting installation.

Notifications and warning texts are for your safety and to minimise the risk of something breaking during installation.

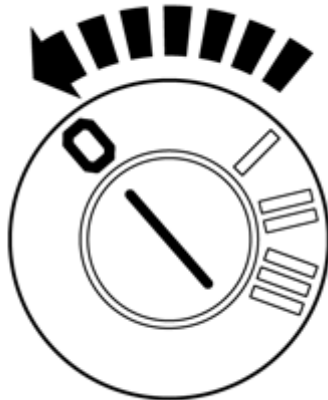
Ensure that all tools stated in the instructions are available before starting installation.

Certain steps in the instructions are only presented in the form of images. Explanatory text is also given for more complicated steps.

In the event of any problems with the instructions or the accessory, contact your local Volvo dealer.

## Removal

2

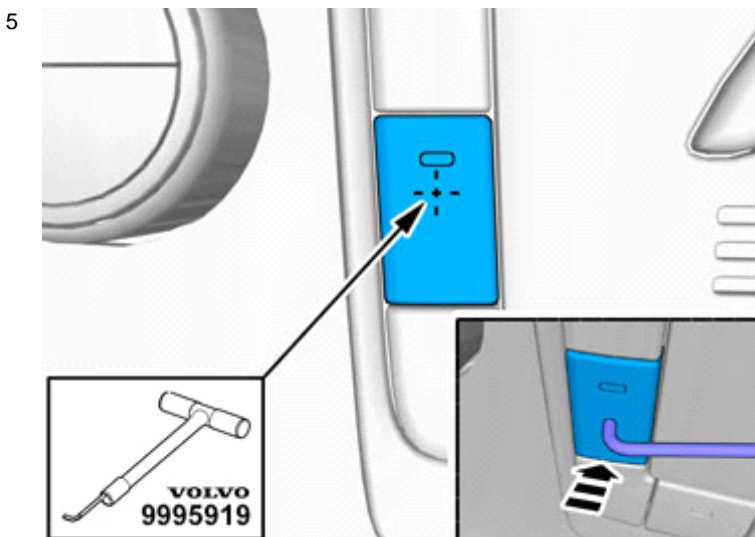
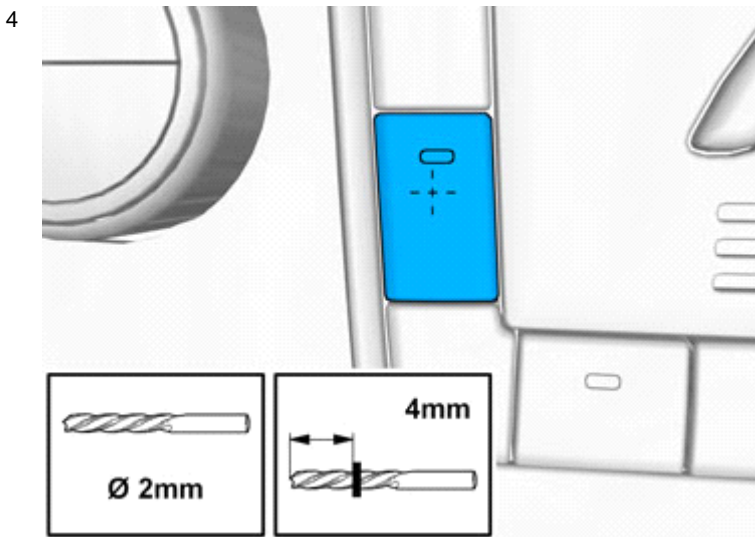
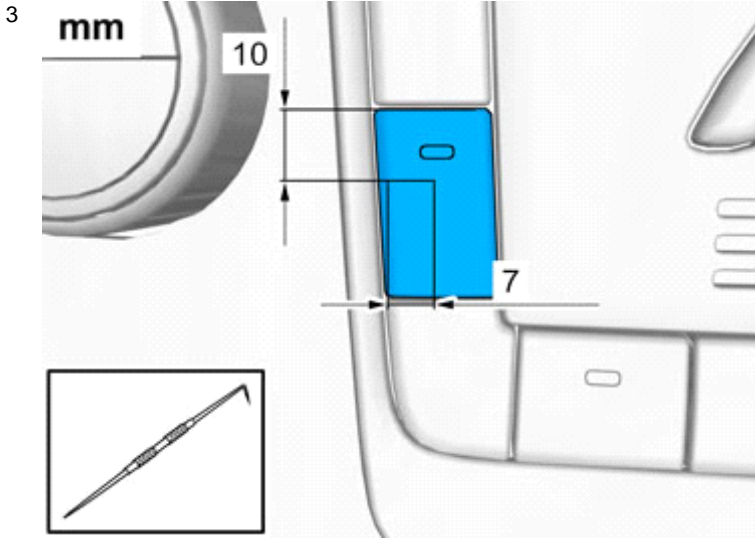


IMG-332193



# Installation instructions, accessories

Volvo Car Corporation Gothenburg, Sweden

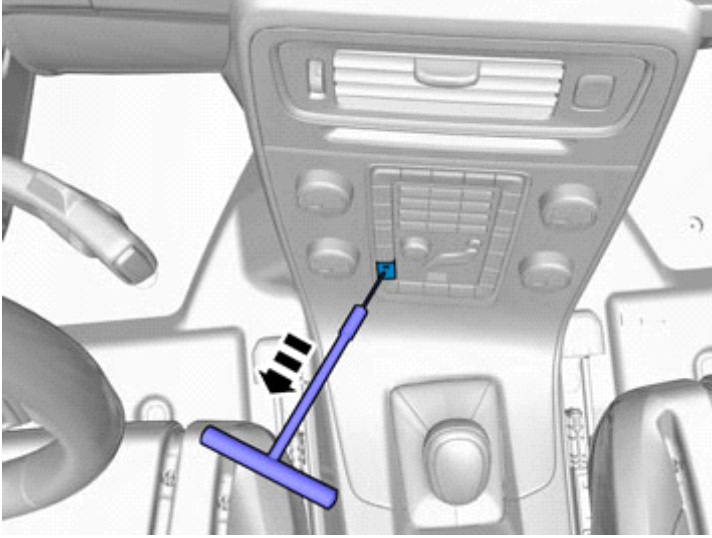




# Installation instructions, accessories

Volvo Car Corporation Gothenburg, Sweden

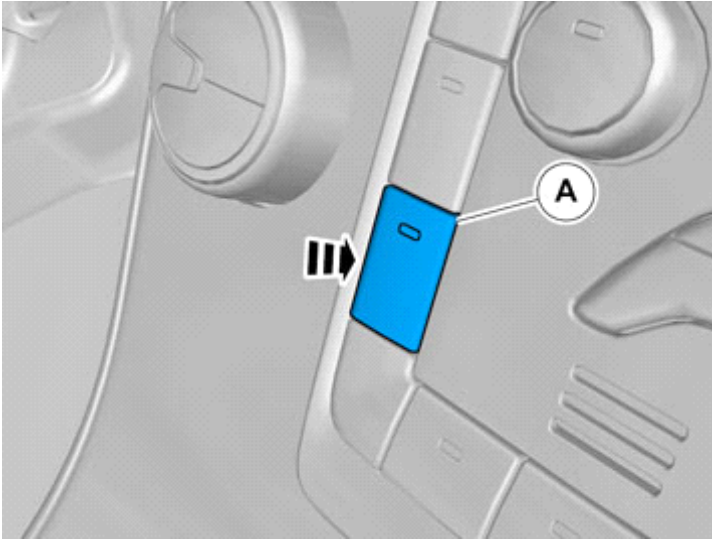
6



IMG-380996

## Accessory installation

7



IMG-381003

Install component that comes with the accessory kit.

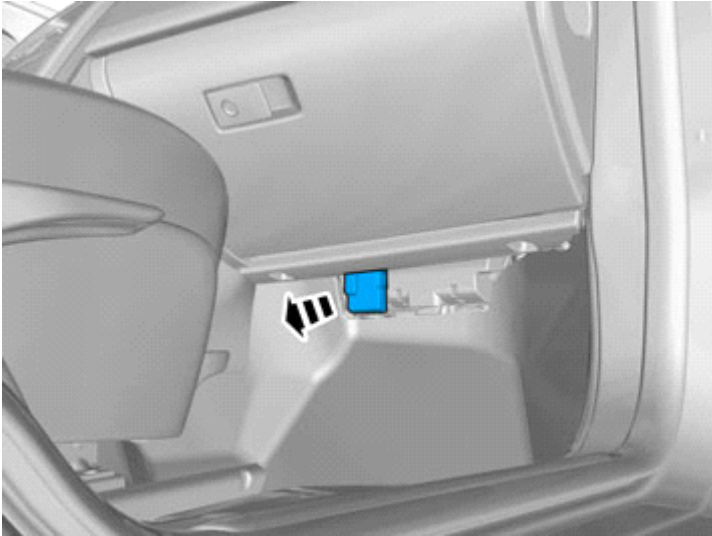
## Removal



# Installation instructions, accessories

Volvo Car Corporation Gothenburg, Sweden

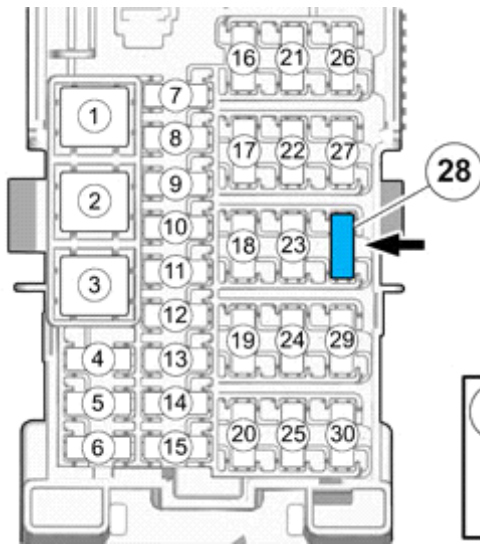
8



IMG-381919

## Accessory installation

9



IMG-381922

Install component that comes with the accessory kit.

10

Reinstall the removed parts in reverse order.

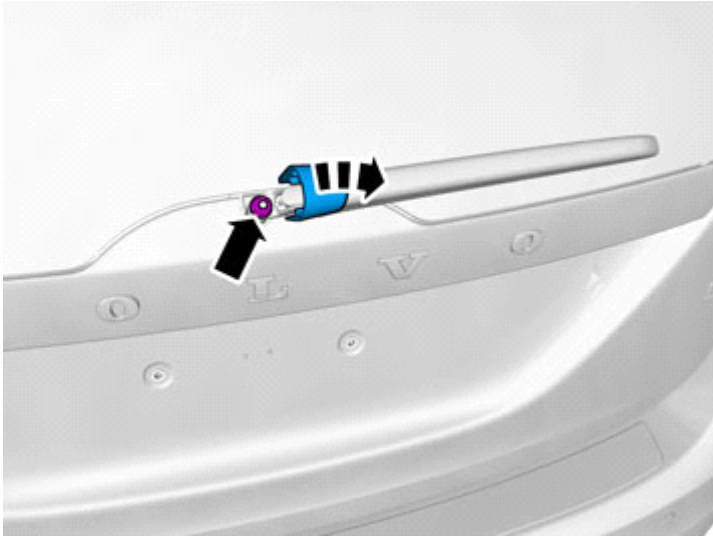
## Removal



# Installation instructions, accessories

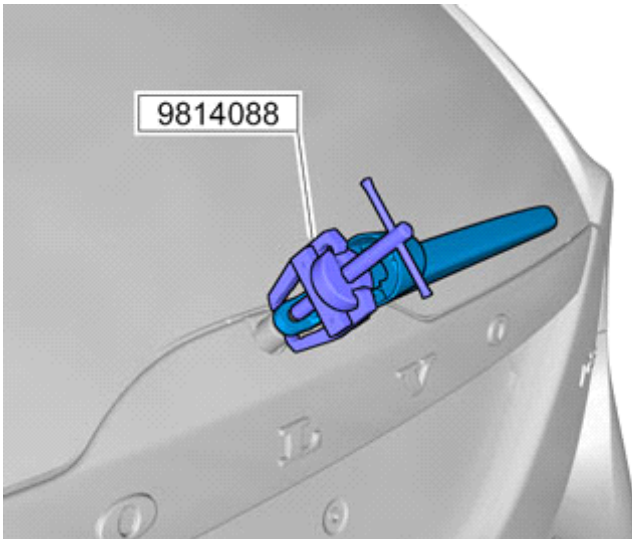
Volvo Car Corporation Gothenburg, Sweden

11



IMG-344481

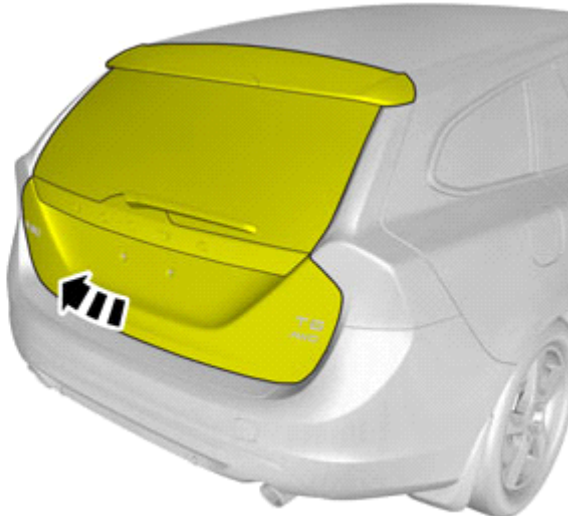
12



IMG-344483

**Use special tool: T9814088, Puller**

13



IMG-351651

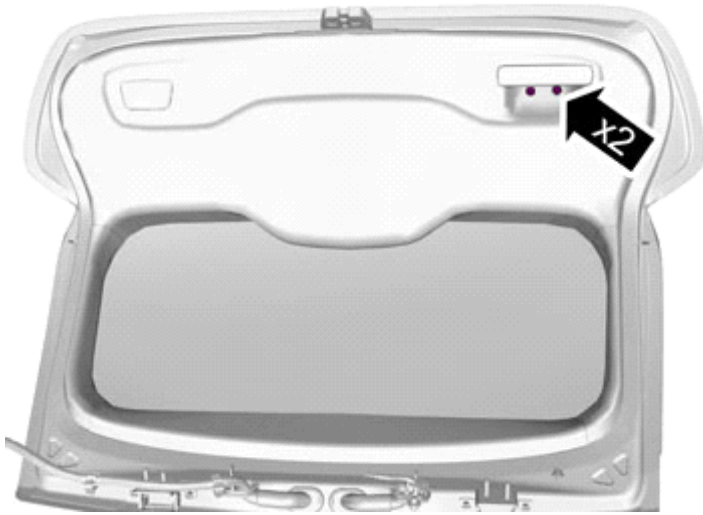




# Installation instructions, accessories

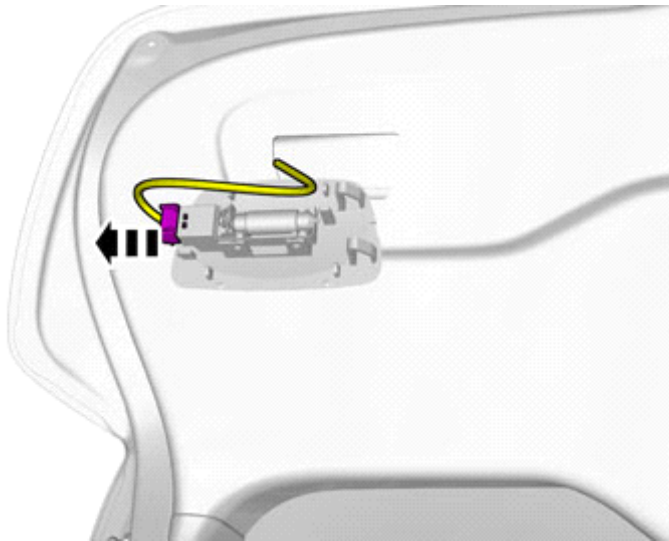
Volvo Car Corporation Gothenburg, Sweden

14



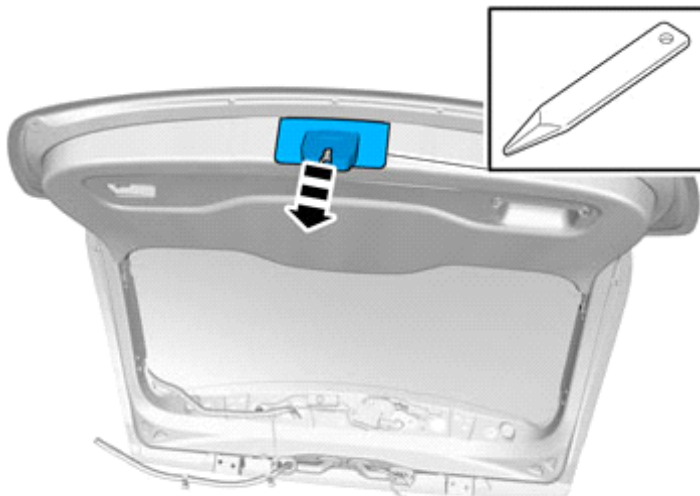
IMG-344484

15



IMG-344487

16



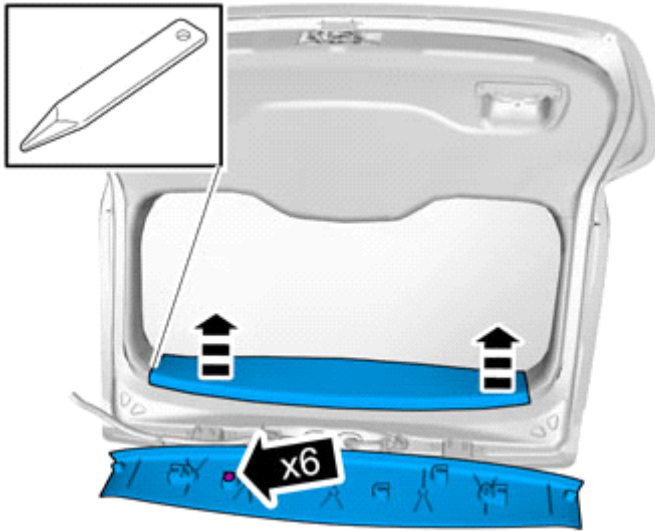
IMG-344488



# Installation instructions, accessories

Volvo Car Corporation Gothenburg, Sweden

17



IMG-344489

18



IMG-344490

Repeat on the other side.



# Installation instructions, accessories

Volvo Car Corporation Gothenburg, Sweden

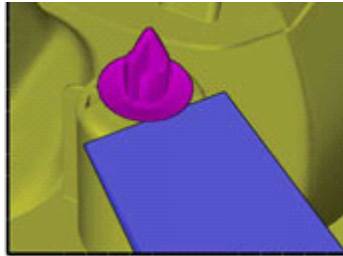
19

**Note!**  
Orientation view

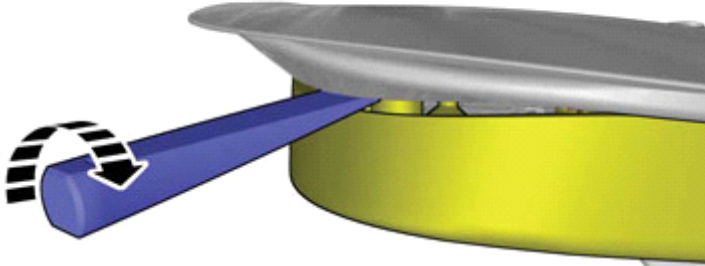


IMG-352241

20

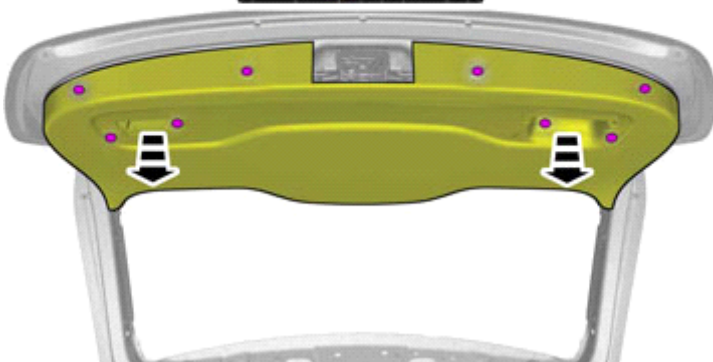


**Use special tool:** T9997390, Key



IMG-352242

21



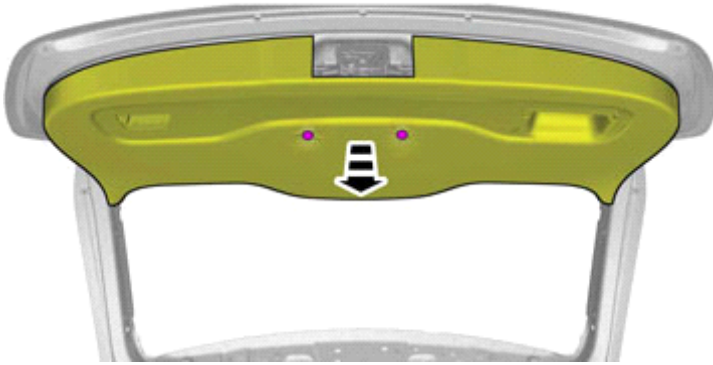
IMG-352243



# Installation instructions, accessories

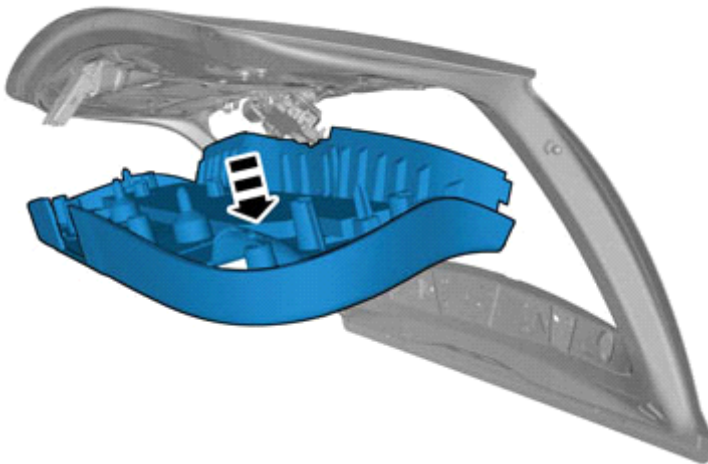
Volvo Car Corporation Gothenburg, Sweden

22



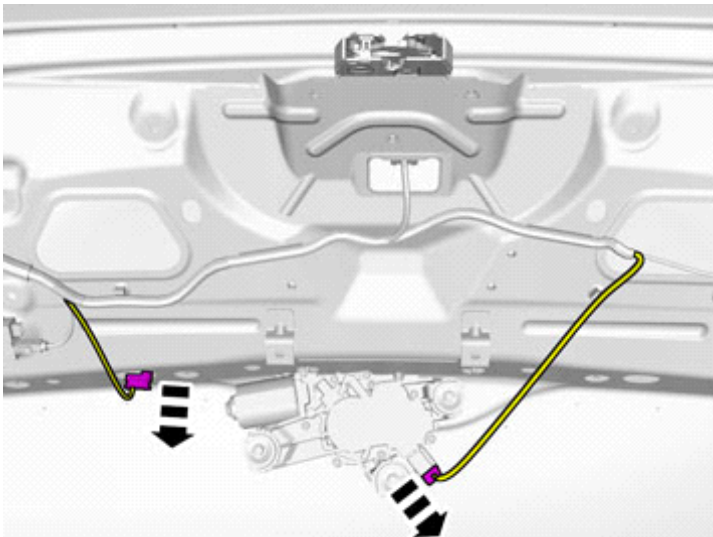
IMG-352244

23



IMG-352246

24



IMG-344495

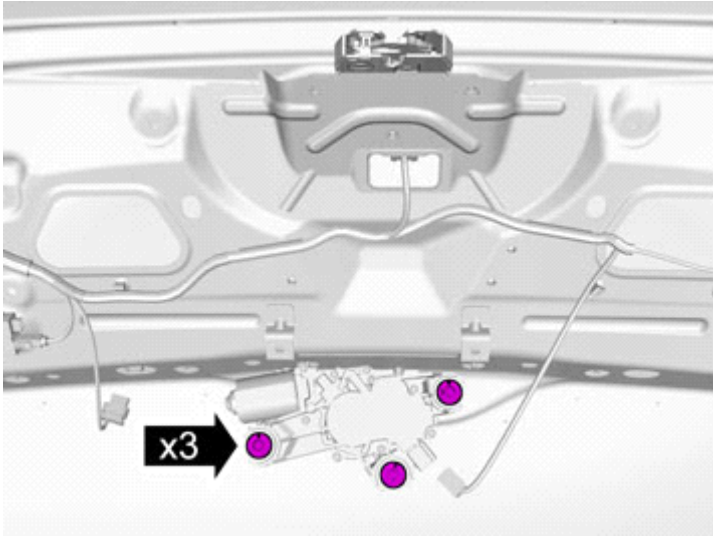
Disconnect the connectors.



# Installation instructions, accessories

Volvo Car Corporation Gothenburg, Sweden

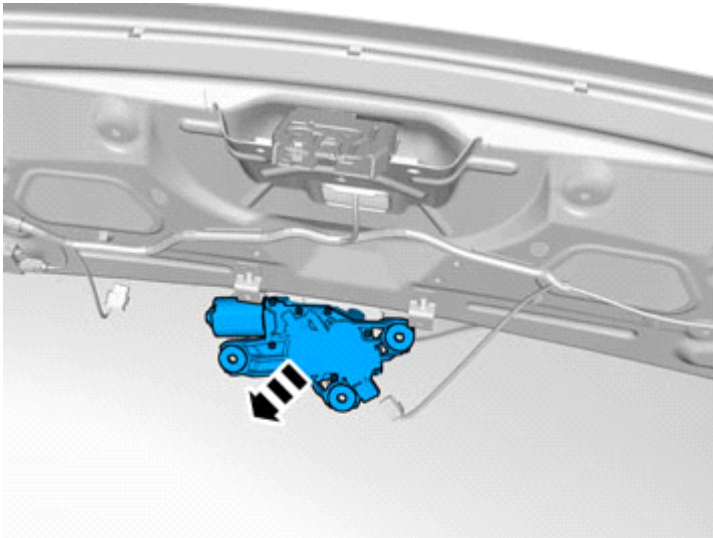
25



IMG-344494

Remove the screws.

26



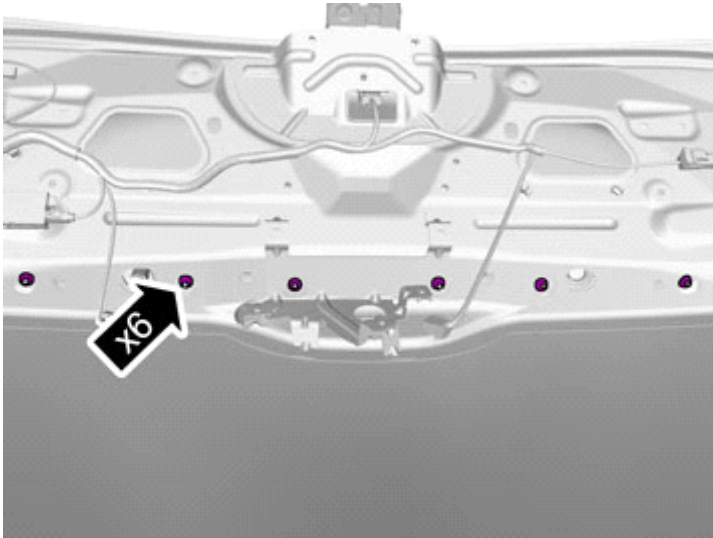
IMG-344496



# Installation instructions, accessories

Volvo Car Corporation Gothenburg, Sweden

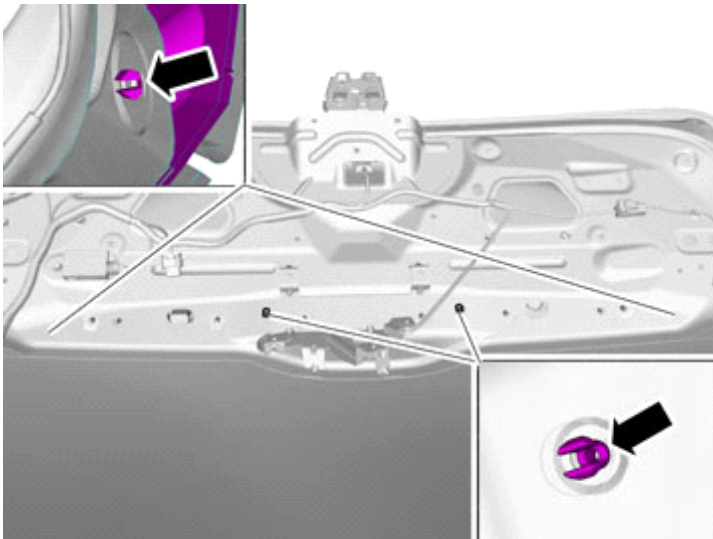
27



IMG-344497

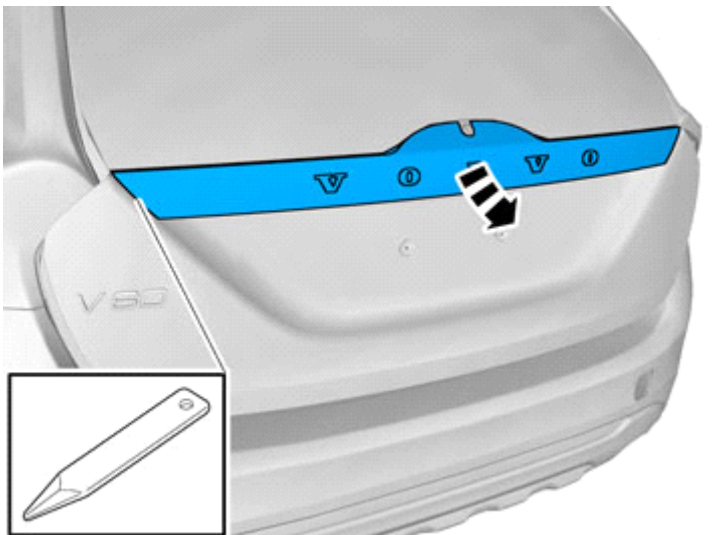
Remove the nuts.

28



IMG-344499

29



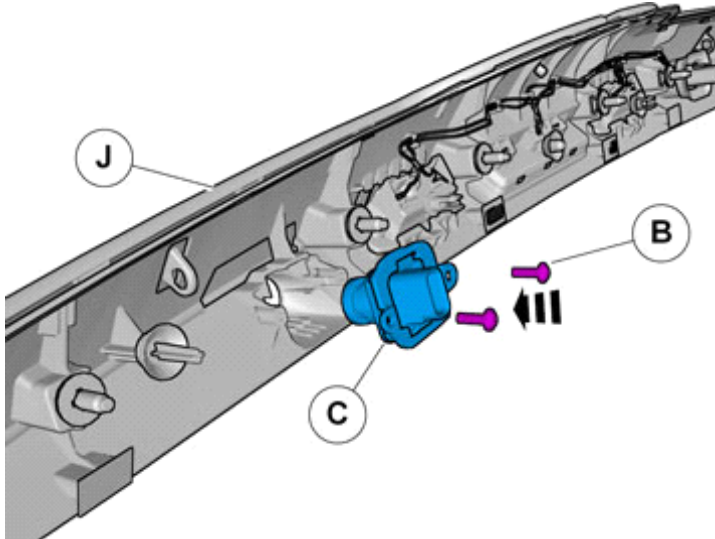
IMG-344498





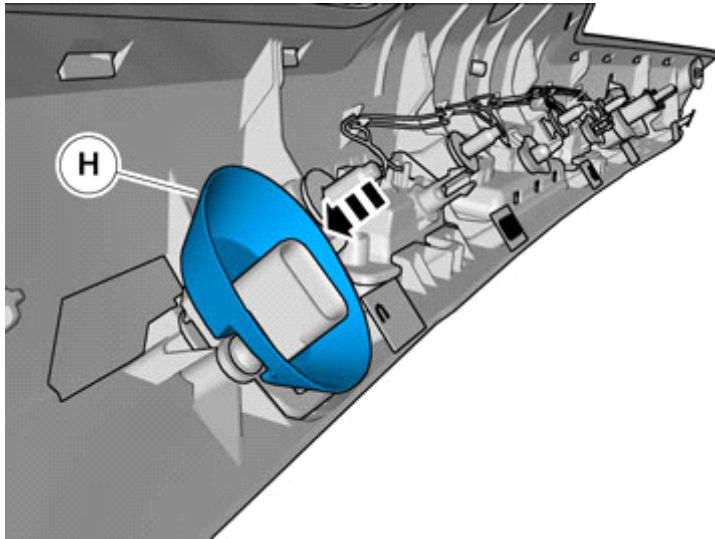
## Accessory installation

30



IMG-381050

31



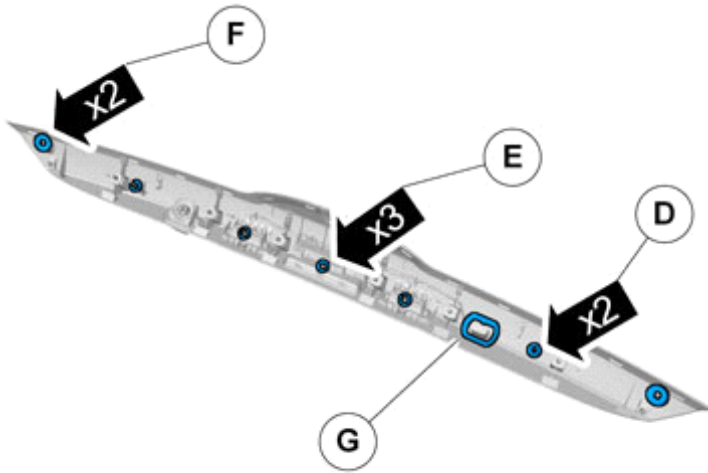
IMG-381051



# Installation instructions, accessories

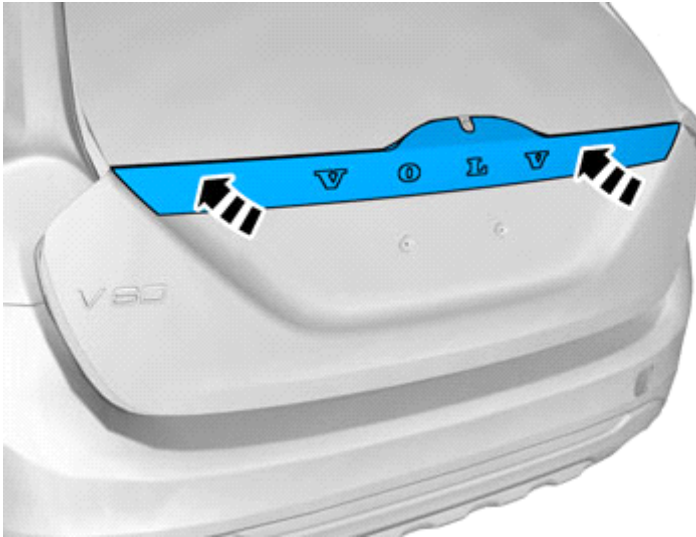
Volvo Car Corporation Gothenburg, Sweden

32



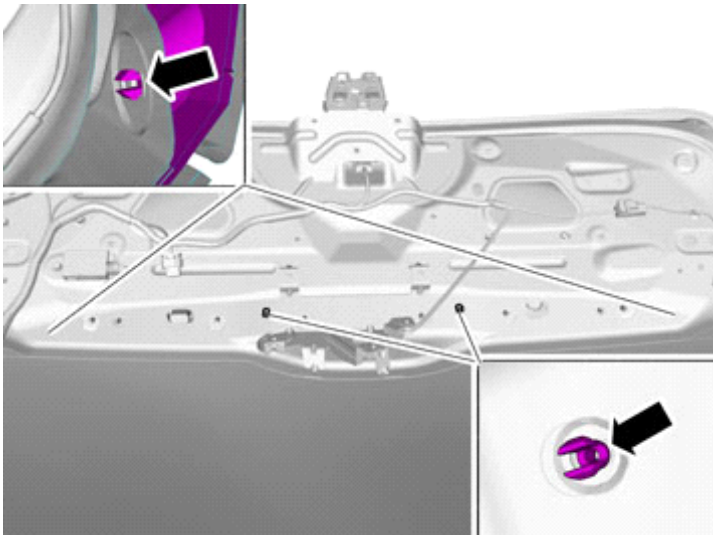
IMG-381052

33



IMG-344518

34



IMG-344499

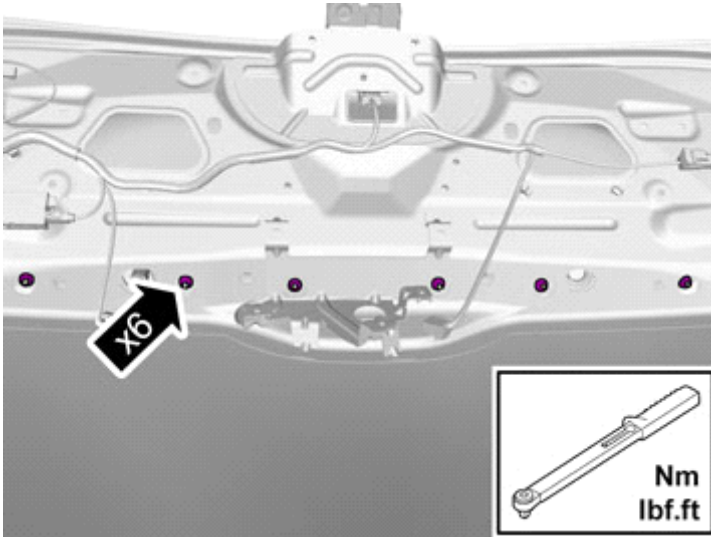




# Installation instructions, accessories

Volvo Car Corporation Gothenburg, Sweden

35

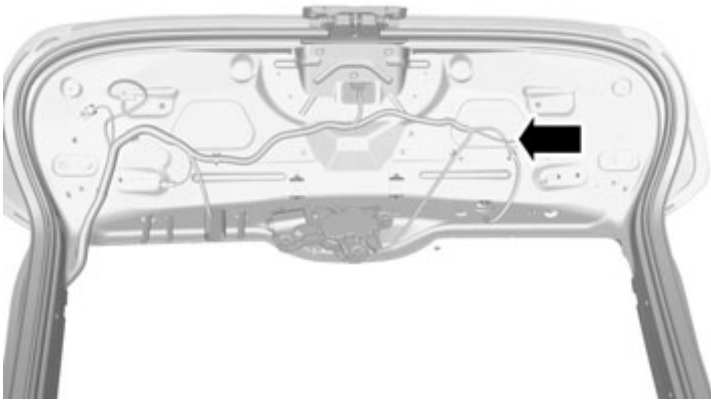


IMG-381063

**Tightening torque:** Exterior handle to tailgate/luggage compartment lid , 3 Nm

36

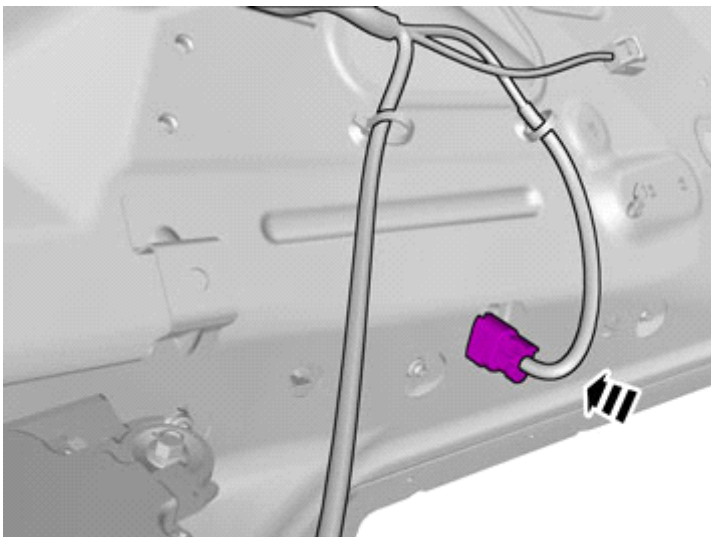
Locate the pre-routed connector.



IMG-381062

37

Connect the connector.



IMG-381059

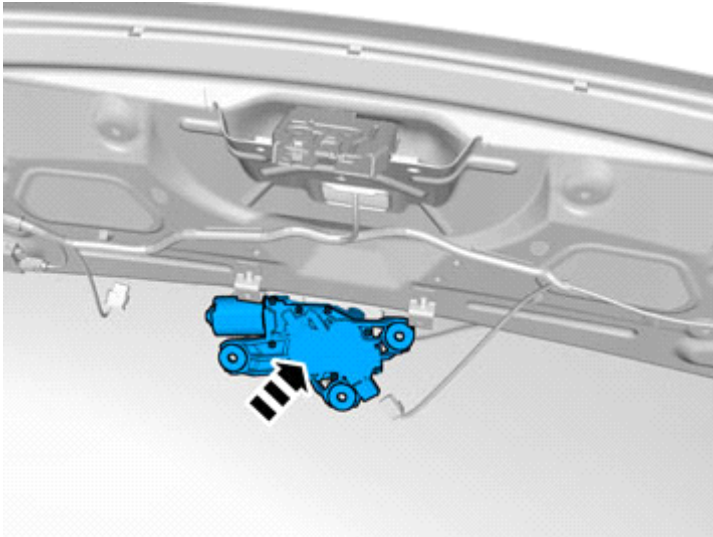


# Installation instructions, accessories

Volvo Car Corporation Gothenburg, Sweden

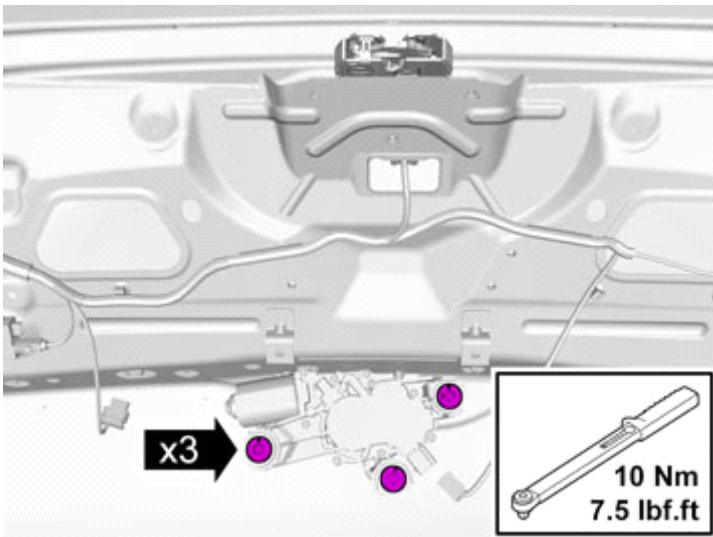
## Installation

38



IMG-344525

39



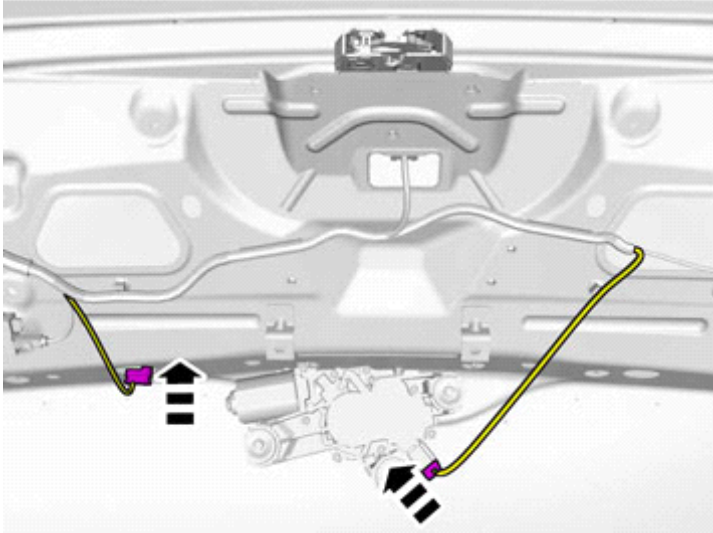
IMG-344521



# Installation instructions, accessories

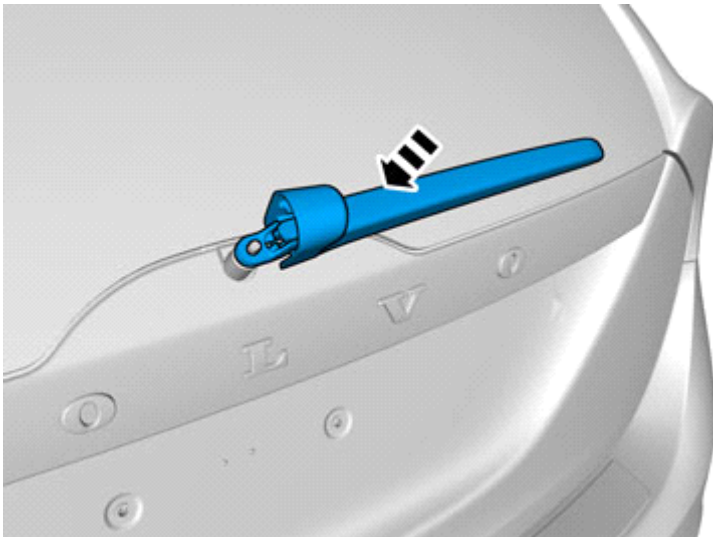
Volvo Car Corporation Gothenburg, Sweden

40



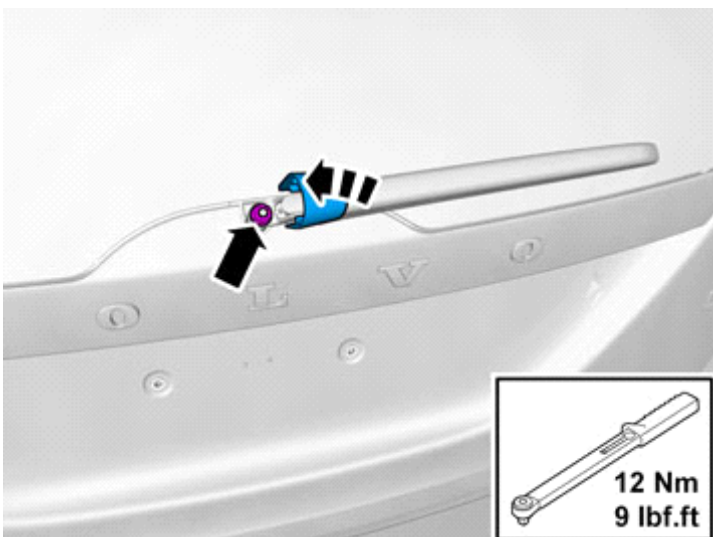
IMG-344533

41



IMG-344523

42



IMG-344524



# Installation instructions, accessories

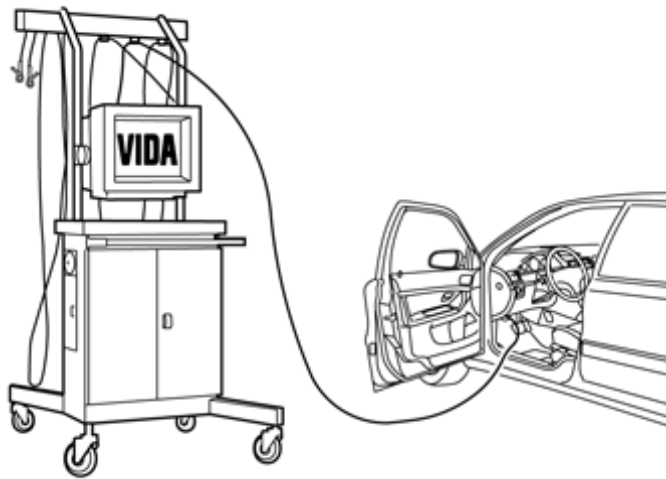
Volvo Car Corporation Gothenburg, Sweden

43

Reinstall the removed parts in reverse order.

IMG-377070

44



Download software (application) for the accessory's function according to the service information in VIDA. See VIDA or the accessories catalogue for software part number.

IMG-242268

45

Calibrate according to: DIAGNOSTICS/VEHICLE COMMUNICATION/Advanced/PAC/Service calibration, parking camera

# VIDA

IMG-275777



# Installation instructions, accessories

Volvo Car Corporation Gothenburg, Sweden

---